

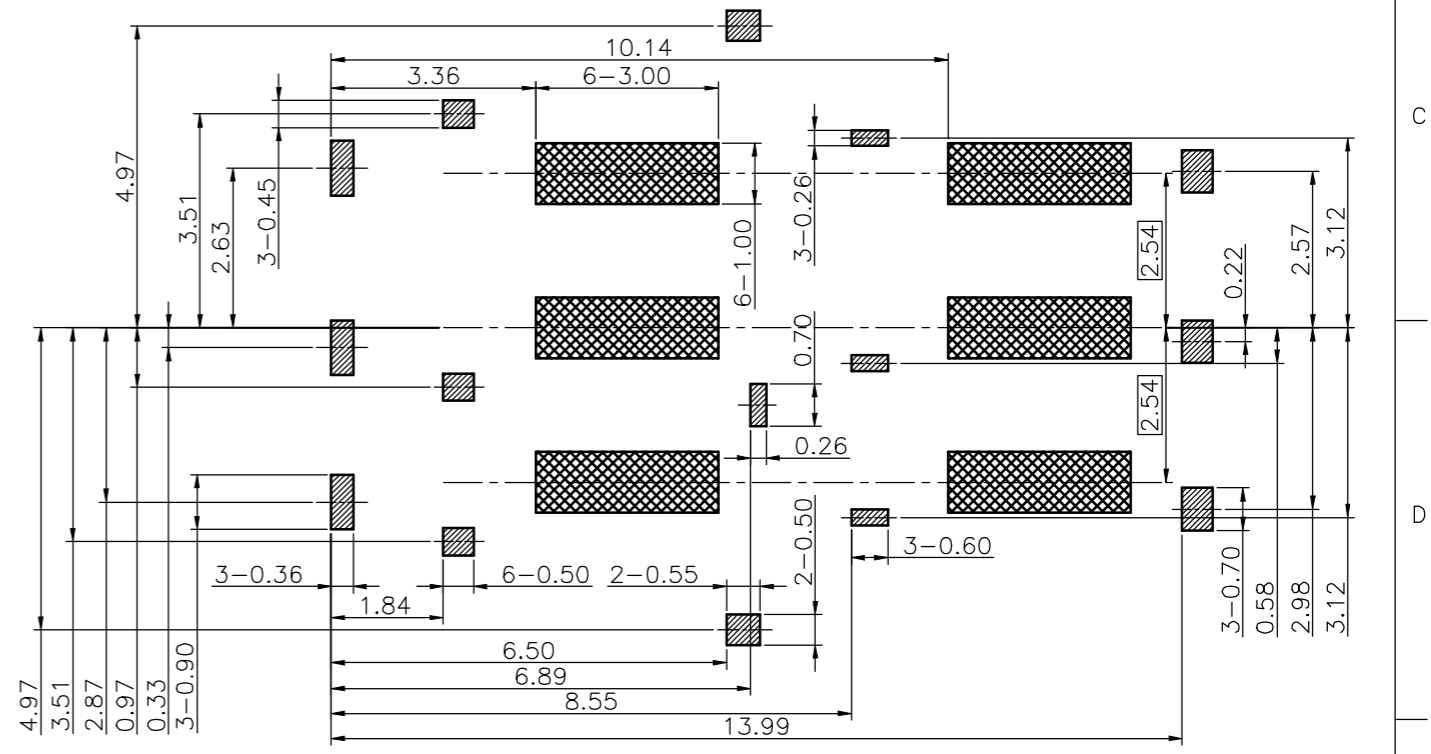
REV	ECN NO	DESCRIPTION	DATE	APPD
X1		初版制作	2020.10.13	
X2		修正总宽尺寸10.30为10.31	2020.12.07	

NOTES:

- ELECTRICAL CHARACTERISTICS:
 - CONTACT CURRENT RATING: 0.5A MAX.
 - CONTACT RESISTANCE: 75 mOHMS MAX,AFTER TEST 100 mOHMS MAX.
 - INSULATION RESISTANCE: INITIAL:1000 MOHMS MIN. AFTER TEST: 100 MOHMS MIN.
- MECHANICAL CHARACTERISTICS:
 - DURABILITY : 3000 CYCLES.
 - NORMINAL CONDITION DISPLACEMENT 0.45MM CONTACT NORMAL FORCE 50~80gf
- ENVIRONMENT CHARACTERISTICS:
 - OPERATING TEMPERATURE: -25°C~85°C
 - STORAGE TEMPERATURE: -40°C~85°C
- SALT SPRAY TEST REQUIREMENTS:

SALT SPRAY CONDITION: TEMP 35±2°C, HUMIDITY 85%RH±2%, PH VALUE 6.5~7.2, BRINE CONCENTRATION 5%±1%,TEST TIME: 48HOURS.
- RECOMMENDED IR REFLOW PORCESS PEAK TEMPERATURE: 250±5°C,DURATION 10s MAX.
- ALL SMT CONTACTS AND PADS CO-PLANARITY: 0.08mm MAX

14	BEFORE IR	0.06
15	AFTER IR	0.08

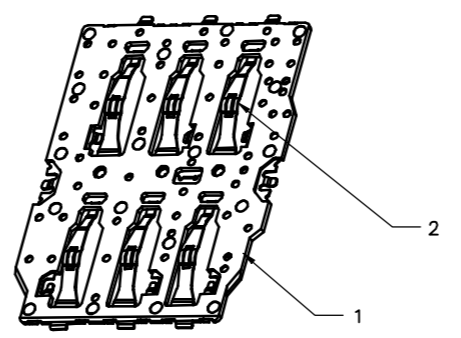


RECOMMENDED PCB LAYOUT

TOLERANCES ±0.05

- SOLDER AREA
- DIGGING HOLES 0.05~0.10MM

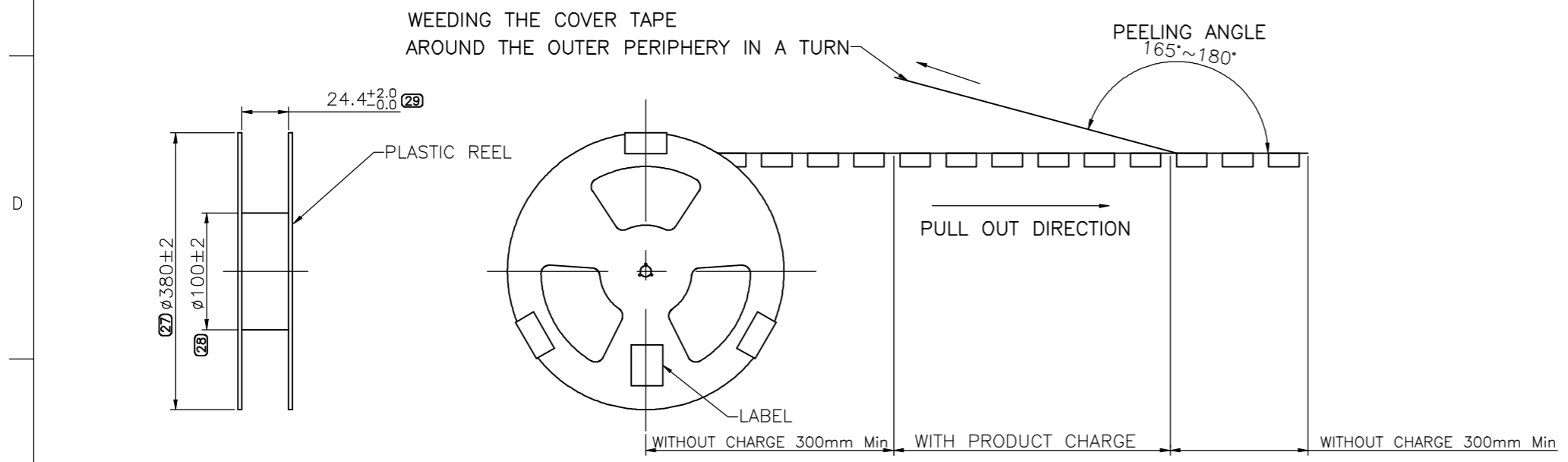
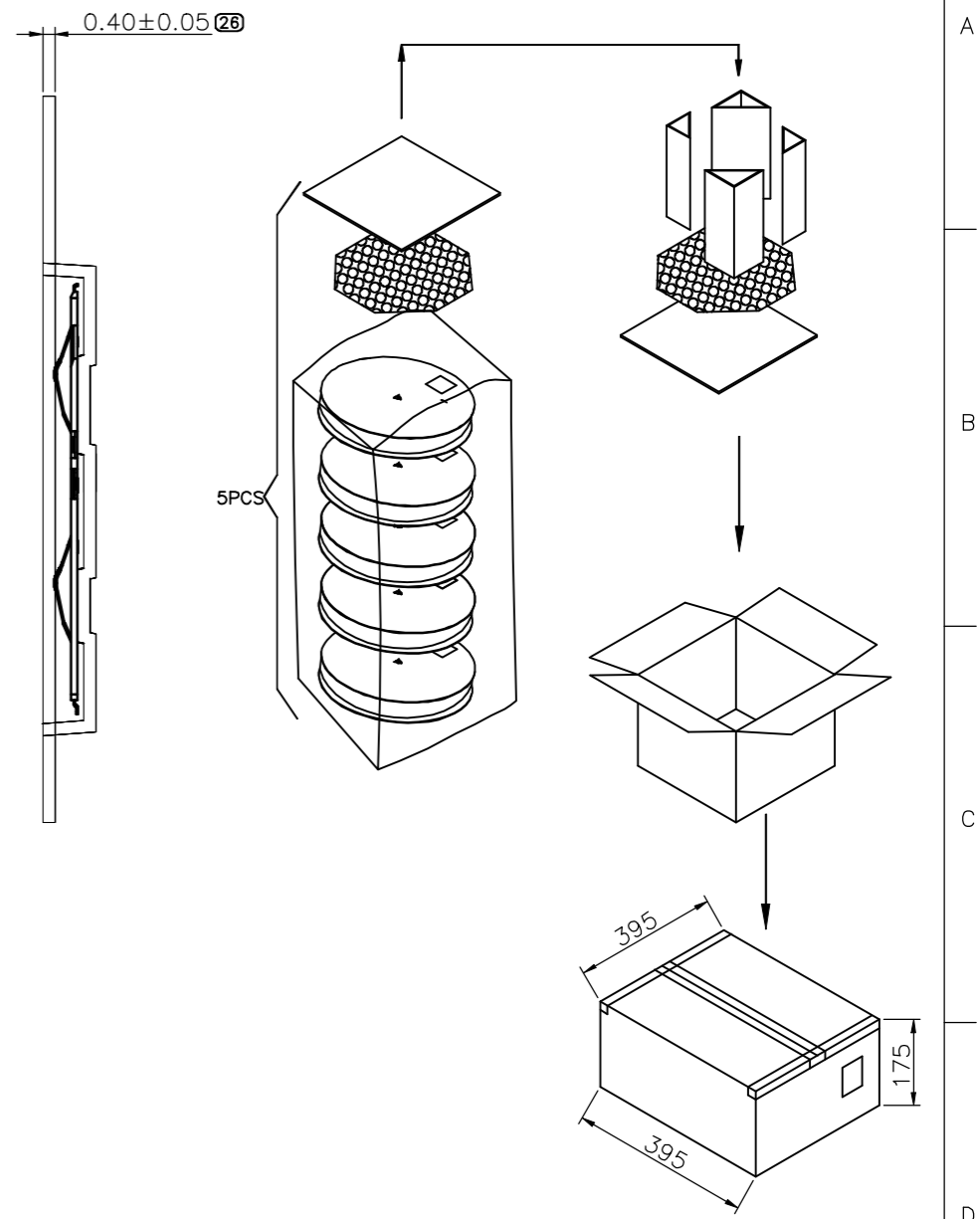
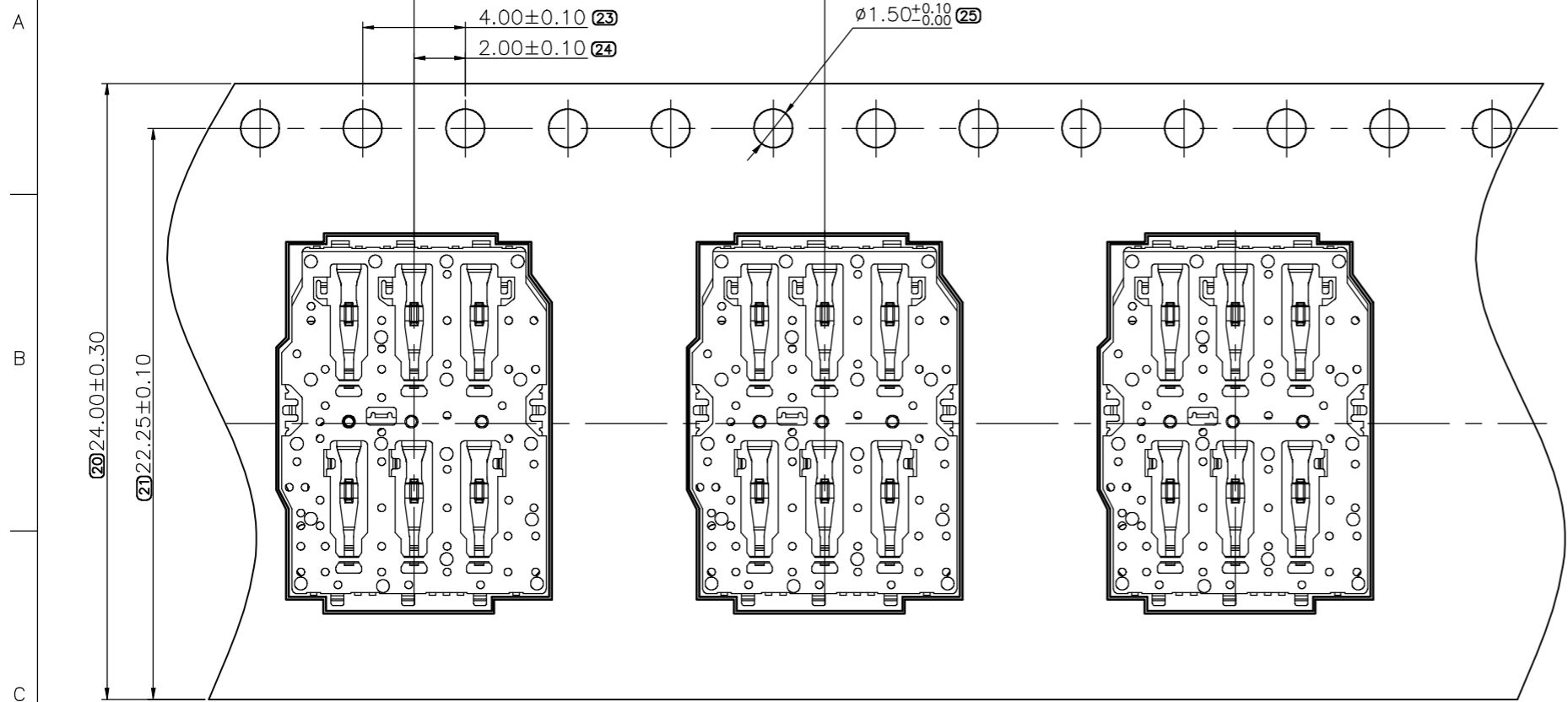
ITEM	DESCRIPTION	MATERIAL	FINISH	Q'TY
2	TERMINAL	COPPER ALLOY NKT322-XSH C5240-ESH	CONTACT AREA: NICKEL 80~150u"; 15u"Au Min Au PLATING SOLDER AREA: NICKEL 80~210u"; 2~8u" Au PLATING	1
1	HOUSING	THERMOPLASTIC LCP S475 BK UL94-V0	N/A	1



EXTEND USE	NANOSIM CARD BLOCK 0.24H	UNIT	mm	TITLE	1.116A0 CONN. Customer Drawing	
GENERAL TOLERANCE	Ⓢ	MATERIAL	APPD	DWG NO	C-1.116A0	
DIMENSION	±0.30 .0 ±0.25 .00 ±0.20 .000 ±0.10	ANGLES	±3° .0 ±2° .00 ±1°	QTY	CHD	P/N: 1.116A0-006-5R0
		FINISHED	DRN	陈伟 2020.12.07	SHEET	SCALE
					1/2	1:1
					REV	X2

A3

REV	ECN NO	DESCRIPTION	DATE	APPD
		SEE SHEET 1/2		



- Notes:
- MATERIAL:
CARRIER TAPE: PET,T:0.40mm;
COVER TAPE: PE,PET,PEF;
 - Q'TY: 3000PCS/REEL, 15000PCS/CARTON;
 - PEELING FORCE: 20gf~130gf;

EXTEND USE		UNIT		TITLE		DWG NO	
NANOSIM CARD BLOCK 0.24H		mm		1.116A0 CONN. Customer Drawing		C-1.116A0	
GENERAL TOLERANCE ②⑧		MATERIAL		APPD		P/N:	
DIMENSION		QTY		CHD		1.116A0-006-5R0	
ANGLES		FINISHED		DRN		SHEET SCALE	
. ±0.30	. ±3°			陈伟 2020.12.07		2/2 1:1	
.0 ±0.25	.0 ±2°					REV X2	
.00 ±0.20	.00 ±1°						
.000 ±0.10							